

LOAD FEEDER FUSELESS DIRECT START, AC 400V, SZ S00 9 . .
 .12.5A, AC 230V SPRING-LOADED CONNECTION FOR RAIL-
 MOUNTING, TYPE OF COORDINATION 1, IQ = 150KA 1NO
 (CONTACTOR)



Product brand name	SIRIUS
Product designation	Direct (on-line) starter
Design of the product	for standard rail or screw mounting
Product type designation	3RA21
Manufacturer's article number	
<ul style="list-style-type: none"> • of the supplied contactor 	3RT2017-2AP01
<ul style="list-style-type: none"> • of the supplied circuit-breakers 	3RV2011-1KA20
<ul style="list-style-type: none"> • of the supplied link module 	3RA2911-2AA00

General technical data	
Size of the circuit-breaker	S00
Size of load feeder	S00
Insulation voltage	
<ul style="list-style-type: none"> • with degree of pollution 3 rated value 	690 V
Surge voltage resistance rated value	6 kV
Protection class IP	
<ul style="list-style-type: none"> • on the front 	IP20
Type of assignment	1
Protection against electrical shock	finger-safe

Ambient conditions

Ambient temperature

- during operation -20 ... +60 °C
- during storage -50 ... +80 °C
- during transport -50 ... +80 °C

Temperature compensation

-20 ... +60 °C

Main circuit

Number of poles for main current circuit

3

Adjustable pick-up value current of the current-dependent overload release

9 ... 12 A

Operating voltage

- rated value 690 V
- at AC-3 rated value maximum 690 V

Operating frequency rated value

50 ... 60 Hz

Operating current

- at AC-3
— at 400 V rated value 11.5 A

Operating power

- at AC-3
— at 400 V rated value 5 500 W

Control circuit/ Control

Control supply voltage at AC

- at 50 Hz rated value 230 V
- at 60 Hz rated value 230 V

Apparent holding power of magnet coil at AC

5.7 V·A

Auxiliary circuit

Product extension Auxiliary switch

Yes

Protective and monitoring functions

Trip class

CLASS 10

Design of the overload release

thermal (bimetallic)

UL/CSA ratings

Full-load current (FLA) for three-phase AC motor

- at 480 V rated value 11 A

Yielded mechanical performance [hp]

- for three-phase AC motor
 - at 200/208 V rated value 3 hp
 - at 220/230 V rated value 3 hp
 - at 460/480 V rated value 7.5 hp
 - at 575/600 V rated value 10 hp

Short-circuit protection

Product function Short circuit protection	Yes
Design of the short-circuit trip	magnetic
Conditional short-circuit current (I_q)	
<ul style="list-style-type: none"> • at 400 V acc. to IEC 60947-4-1 rated value 	153 000 A

Installation/ mounting/ dimensions

Mounting position	vertical
Mounting type	screw and snap-on mounting onto 35 mm standard mounting rail
Height	197.6 mm
Width	45 mm
Depth	97.1 mm
Required spacing	
<ul style="list-style-type: none"> • for grounded parts <ul style="list-style-type: none"> — forwards — Backwards — upwards — at the side — downwards • for live parts <ul style="list-style-type: none"> — forwards — Backwards — upwards — downwards — at the side 	<ul style="list-style-type: none"> 20 mm 0 mm 50 mm 20 mm 10 mm 20 mm 0 mm 50 mm 10 mm 20 mm

Connections/Terminals

Type of electrical connection	
<ul style="list-style-type: none"> • for main current circuit 	spring-loaded terminals

Safety related data

B10 value	
<ul style="list-style-type: none"> • with high demand rate acc. to SN 31920 	1 000 000
Proportion of dangerous failures	
<ul style="list-style-type: none"> • with high demand rate acc. to SN 31920 	73 %

Certificates/approvals

General Product Approval	For use in hazardous locations	Declaration of Conformity
--------------------------	--------------------------------	---------------------------



Test Certificates	Marine / Shipping
-------------------	-------------------

[Special Test Certificate](#)

[Type Test Certificates/Test Report](#)



Marine / Shipping	other	Railway
-------------------	-------	---------



[Environmental Confirmations](#)

[Confirmation](#)

[Vibration and Shock](#)

Further information

Information- and Downloadcenter (Catalogs, Brochures,...)

<http://www.siemens.com/industrial-controls/catalogs>

Industry Mall (Online ordering system)

<https://mall.industry.siemens.com/mall/en/en/Catalog/product?mlfb=3RA2110-1KE17-1AP0>

Cax online generator

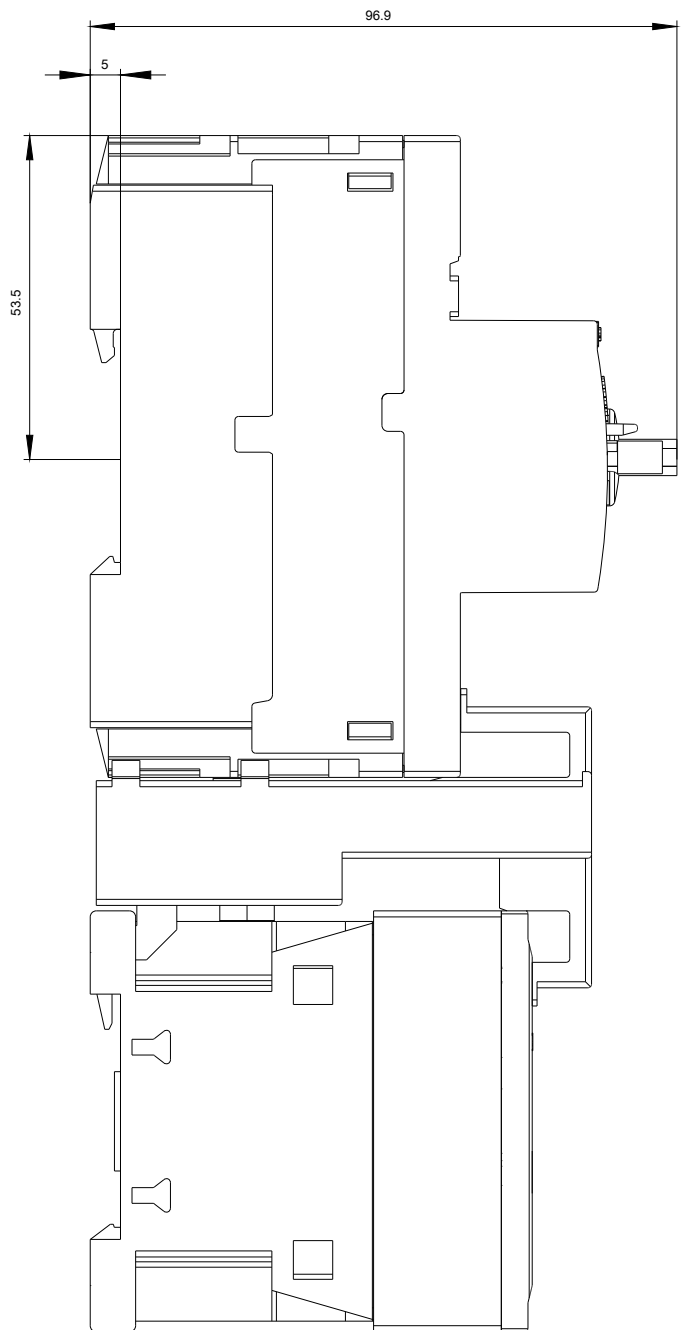
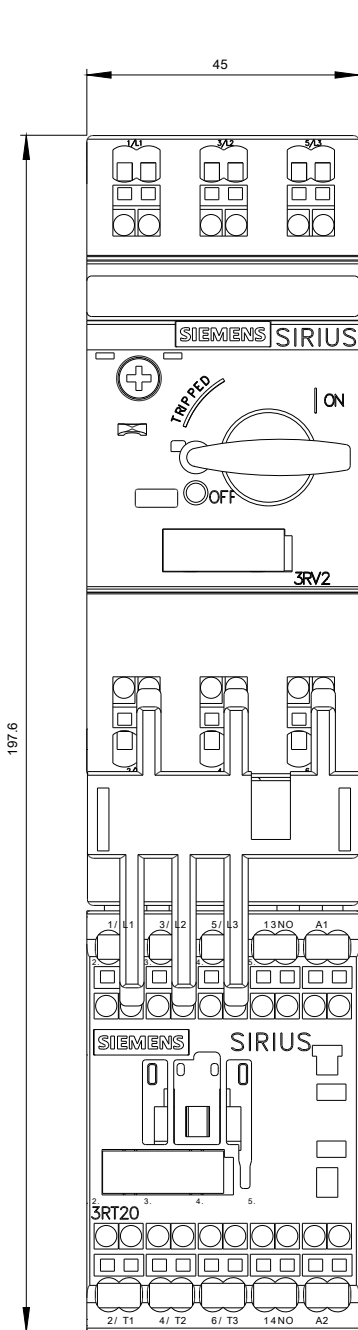
<http://support.automation.siemens.com/WW/CAXorder/default.aspx?lang=en&mlfb=3RA2110-1KE17-1AP0>

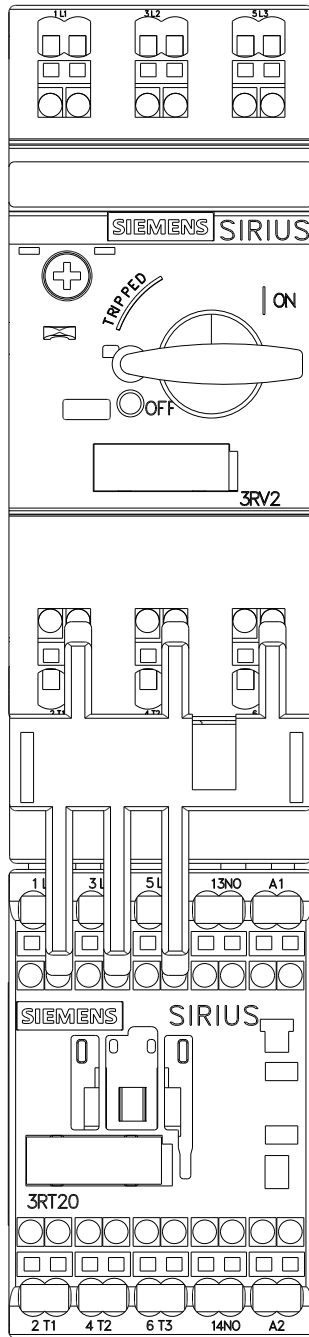
Service&Support (Manuals, Certificates, Characteristics, FAQs,...)

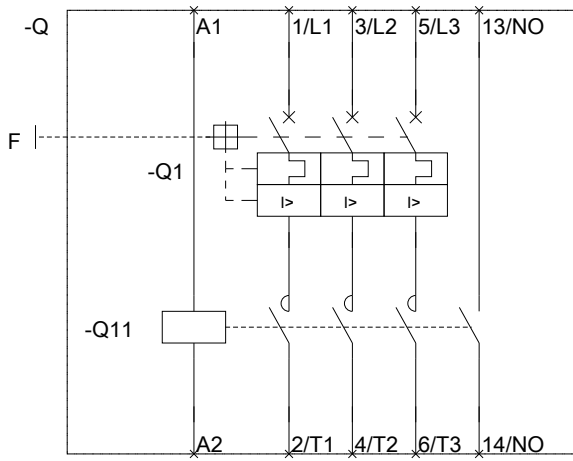
<https://support.industry.siemens.com/cs/ww/en/ps/3RA2110-1KE17-1AP0>

Image database (product images, 2D dimension drawings, 3D models, device circuit diagrams, EPLAN macros, ...)

http://www.automation.siemens.com/bilddb/cax_de.aspx?mlfb=3RA2110-1KE17-1AP0&lang=en







last modified:

07/14/2017